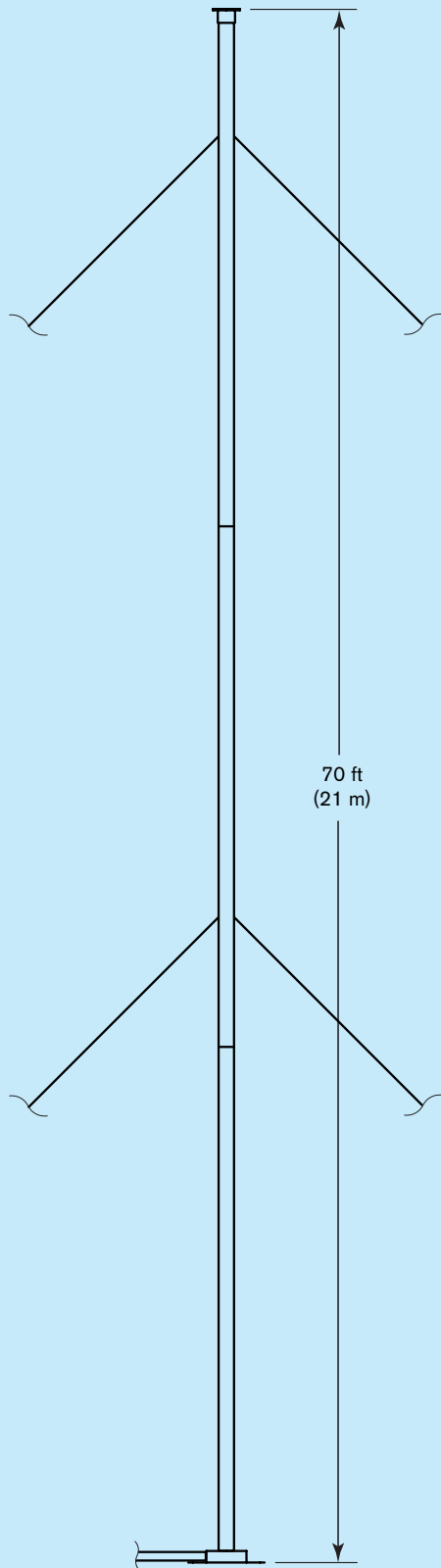


Side View



SKYSTREAM™

70 ft (21 m) Tilt-Up Guyed Tower Kit

An affordable easy, tilt-up option, Southwest Windpower's 70 ft Guyed Tower Kits is great for the cost conscious consumer who has the space to accommodate a guyed wire installation. NOTE: pipe must be purchased locally.

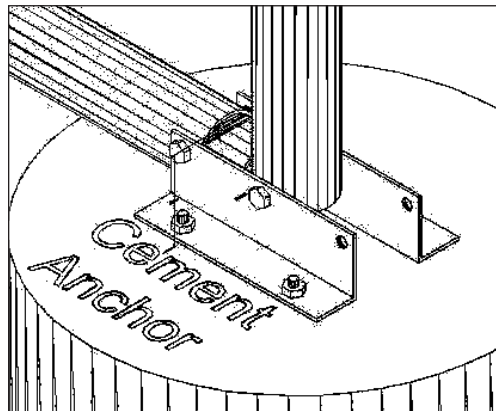
Technical Specifications

Model	70 ft Guyed Tower
Part Number	With land Skystream 3.7 turbine: part # 1-SSL-240-70-G With Marine Skystream. 3.7 turbine: part # 1-SSM-240-70-G
Foundation	Concrete base anchor
Height	70 ft (21 m)
Type	Segmented guyed tower
Construction	5 in Schedule 40 Steel Pipe (purchased locally)
Mount	Tower Adaptor (2-TWS-100) (for Skystream 3.7 install only)
Number of Sections	3
Shipping	4 pieces
Weight	

Piece	Weight lb (kg)
Box 1	98 (45)
Box 2	75 (35)
Box 3	75 (35)
Spool	125 (57)
Total Weight = 373 lb (172 kg)	

Installation Tools Gin pole - 5 in Schedule 40 Steel Pipe (purchased locally)

Foundation



Southwest Windpower

1801 W. Route 66
Flagstaff, AZ 86001 USA

928.779.9463

www.skystreamenergy.com

Makers of Skystream™ / AIR / Whisper