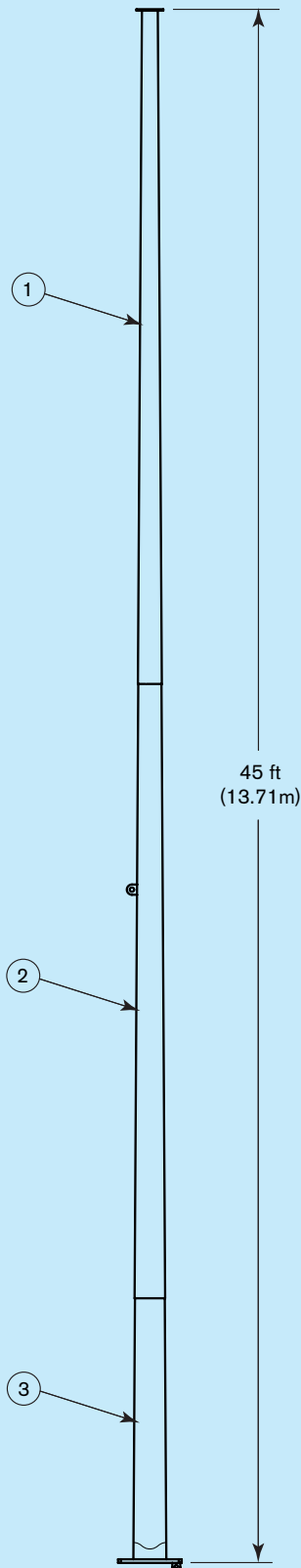


## Side View



# SKYSTREAM™

## 45-17 (45 ft/13.71 m) Tilt-Up Segmented Monopole Tower

Our most popular monopole three-section tower with easy tilt-up raising and. Tower ships in bundled segments. Features include hinge-plate and gin pole (separate purchase) for ease of tilt up. With proper siting, this tower is appropriate for sites that may need a lower tower to meet zoning codes.

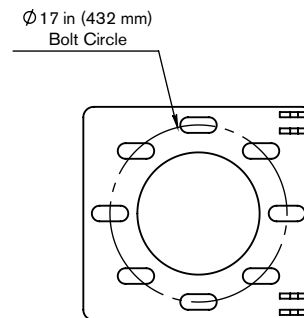
### Technical Specifications

<b>Model</b>	45-17 Skystream Tower
<b>Part Number</b>	With Land Skystream 3.7: part #: 3-1-SSL-240-45-S With Marine Skystream 3.7: part #: 3-1-SSM-240-45-S
<b>Foundation</b>	Mat/Pier
<b>Foundation Bolts</b>	42 in J-bolts - part # 3-CMBP-3048-01
<b>Height</b>	45 ft (13.71 m)
<b>Bolt Circle</b>	19 in (483 mm)
<b>Type</b>	Sectional monopole
<b>Construction</b>	Galvanized tubular steel
<b>Number of Sections</b>	3
<b>Shipping</b>	Bundled
<b>Weight</b>	

Section	Weight lb (kg)	Length ft (m)
1	202.13 (91.87)	19 (5.792)
2	342.47 (155.67)	19 (5.972)
3	315.16 (143.25)	12.89 (3.93)
Total Weight = 861.04 lb (391.38 kg)		

<b>Installation Tools</b>	Gin pole - part # 2-TWS-102 Hinge plate - part # 2-TWS-103
---------------------------	---

### Bottom View



### Southwest Windpower

1801 W. Route 66  
Flagstaff, AZ 86001 USA

928.779.9463

[www.skystreamenergy.com](http://www.skystreamenergy.com)

Makers of Skystream™ / AIR / Whisper