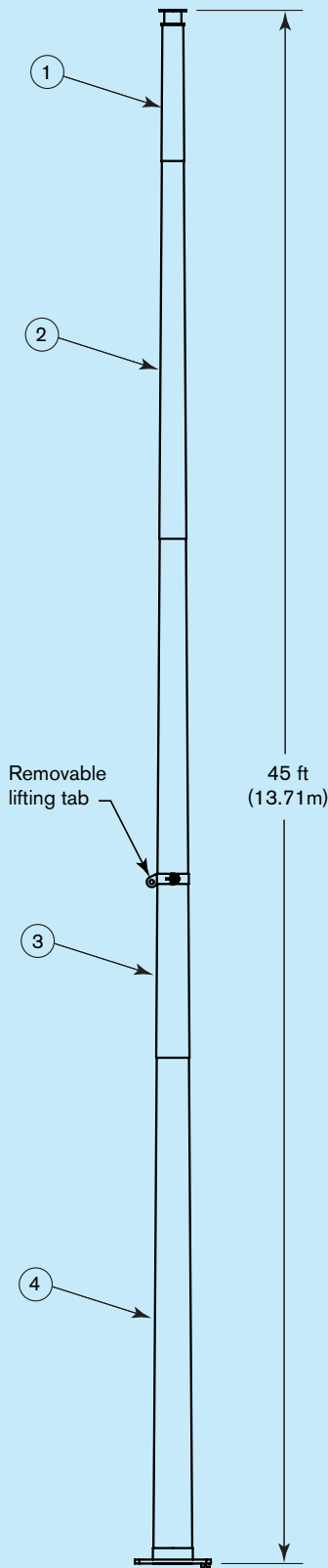


## Side View



# SKYSTREAM™

## 45-19 (45 ft/13.71 m) Tilt-Up Segmented Monopole Tower - NEW

Similar to the existing 45 ft Segmented tower, our most popular monopole tower has been re-engineered for easier installation. Tower ships in nested segments for easier shipping. Features include re-designed hinge-plate for ease of tilt up, handholds for maneuvering. With proper siting, this tower is appropriate for sites that may need a lower tower to meet zoning codes.

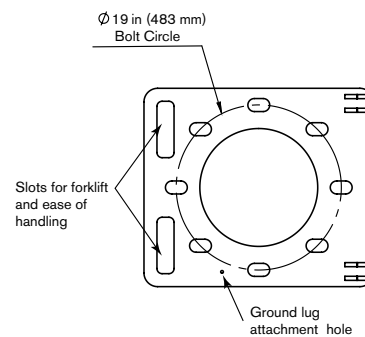
### Technical Specifications

<b>Model</b>	45-19 Skystream Tower
<b>Part Number</b>	With Land Skystream 3.7: 1-SSL-240-45-19-S With Marine Skystream 3.7: 1-SSM-240-45-19-S
<b>Foundation</b>	Mat/Pier
<b>Foundation Bolts</b>	42 in anchor rods - bolt kit part # 3-CMBP-3048-01
<b>Height</b>	45 ft (13.71 m)
<b>Bolt Circle</b>	19 in (483 mm)
<b>Type</b>	Sectional monopole
<b>Construction</b>	Galvanized tubular steel
<b>Number of Sections</b>	4
<b>Shipping</b>	Nested
<b>Weight</b>	

Section	Weight lb (kg)	Length ft (m)
1	58 (26)	4.38 (1.33)
2	161 (73)	13.18 (4.02)
3	341 (155)	17.52 (5.34)
4	581 (264)	17.52 (5.34)
Total Weight = 1141 lb (518.6 kg)		

**Installation Tools**  
Gin pole - part # 2-TWS-200  
Hinge plate - part # 2-TWS-300

### Bottom View



### Southwest Windpower

1801 W. Route 66  
Flagstaff, AZ 86001 USA

928.779.9463

[www.skystreamenergy.com](http://www.skystreamenergy.com)

Makers of Skystream™ / AIR / Whisper