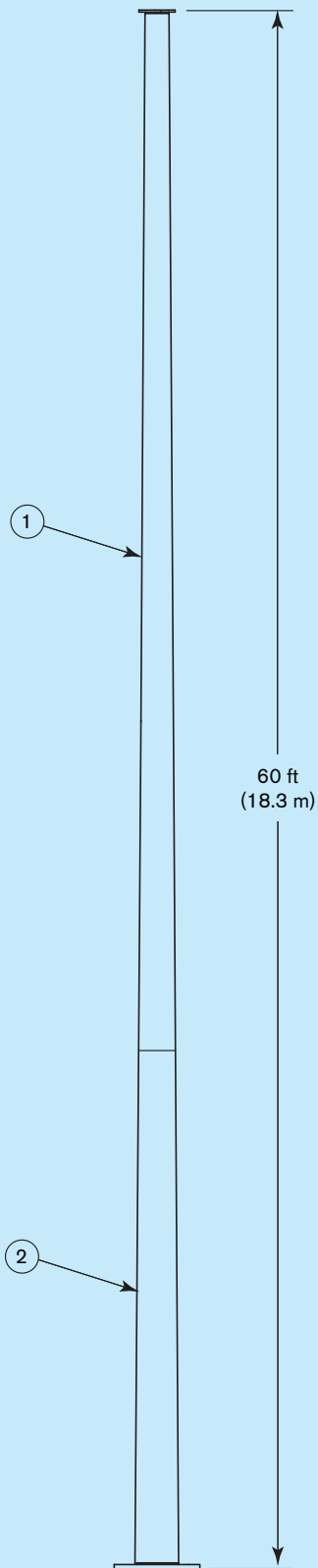


Side View



SKYSTREAM™

60-19 (60 ft/18.3 m) Segmented Monopole Tower

With proper siting, this tower is appropriate for sites that may accommodate a taller tower to clear obstacles such as trees and structures meet performance expectations.

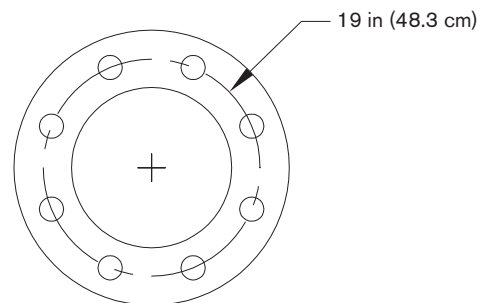
Technical Specifications

Model	60-19 Skystream Tower
Part Number	With Land Skystream 3.7: 1-SSL-240-60-S With Marine Skystream 3.7: 1-SSM-240-60-S
Foundation	SMarT™ Foundation Kit 60 ft Tower Part number 1-TWS-11-02
Foundation Bolts	42 in J-bolts - part # 3-CMBP-3048-01
Height	60 ft (18.3 m)
Bolt Circle	19 in (483 mm)
Type	Sectional monopole
Construction	Galvanized tubular steel
Number of Sections	2
Shipping	Bundled
Weight	

Section	Weight lb (kg)	Length ft (m)
1	693.04 (646.38)	41.65 (12.69)
2	728.85 (331.3)	20.92 (6.38)
Total Weight = 1422.04 lb (646.38 kg)		

Installation Tools Crane required

Bottom View



Southwest Windpower

1801 W. Route 66
Flagstaff, AZ 86001 USA

928.779.9463

www.skystreamenergy.com

Makers of Skystream™ / AIR / Whisper